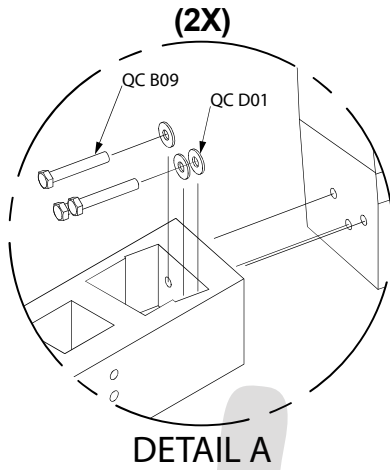
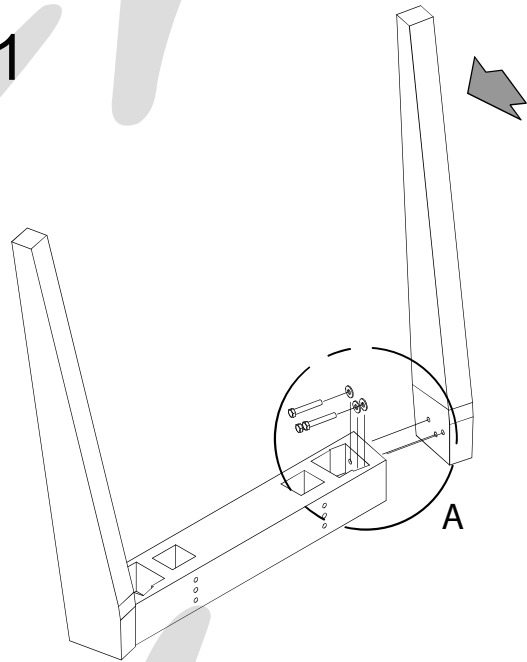
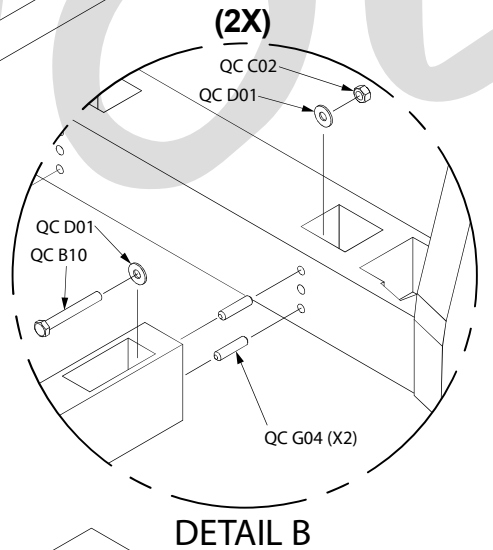
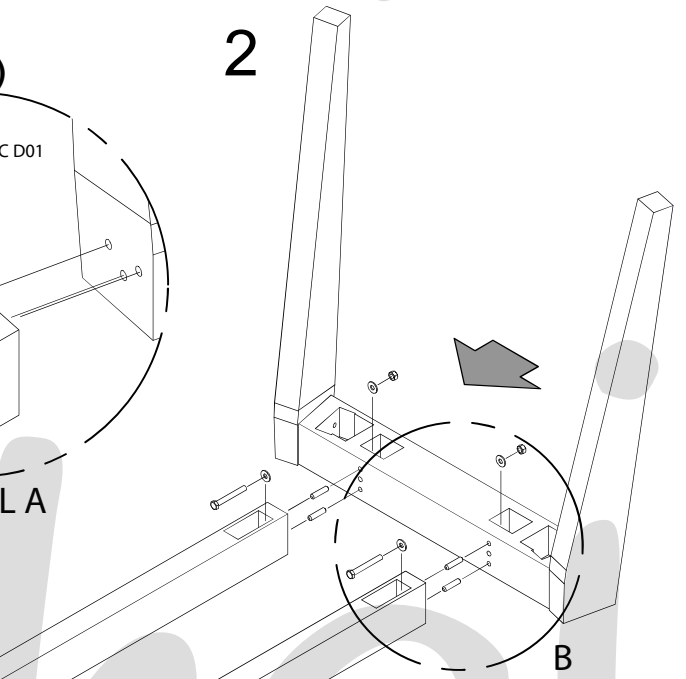


1

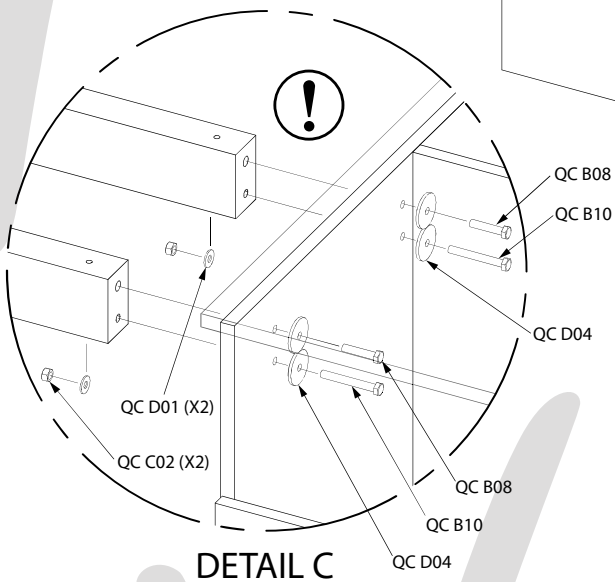
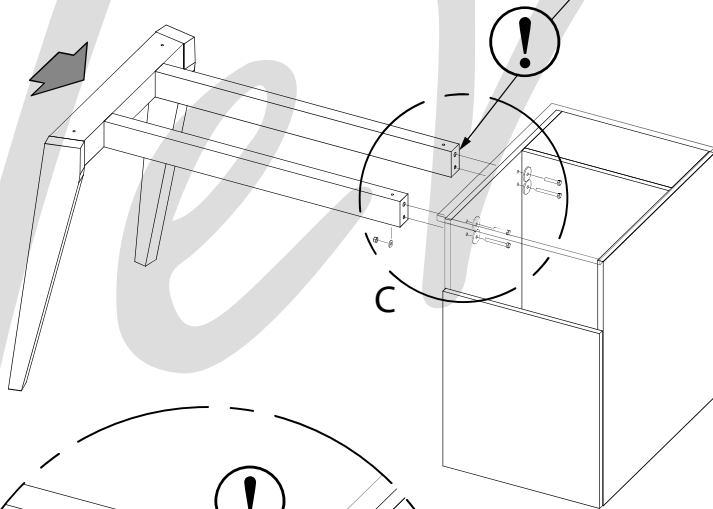


2



3

ATTENTION, 2 PERÇAGES DE CE CÔTÉ
WARNING, THIS END WITH 2 DRILL HOLES



4

